



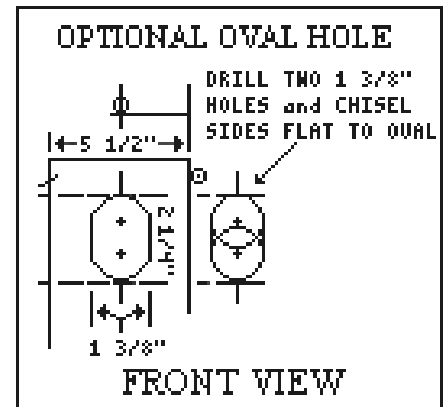
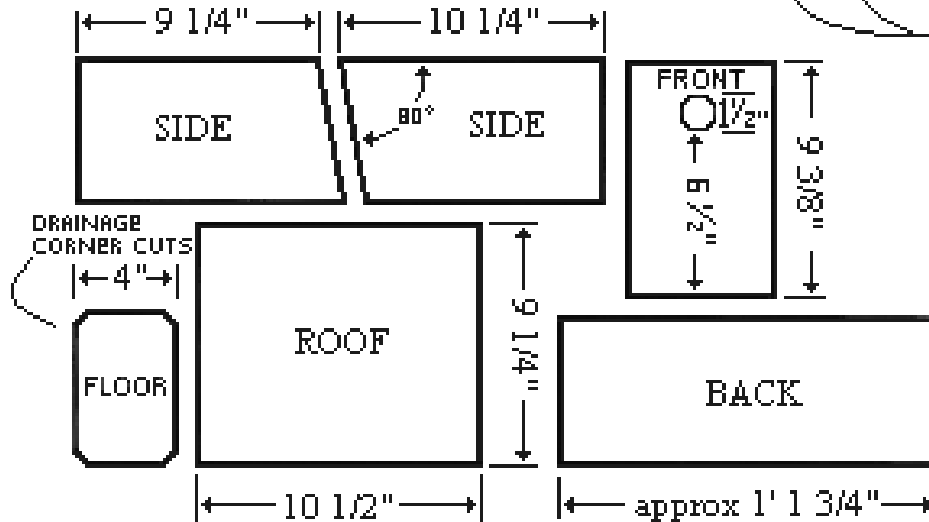
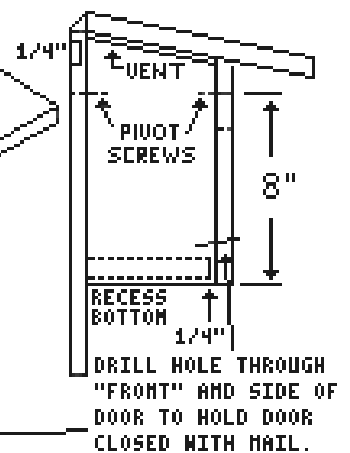
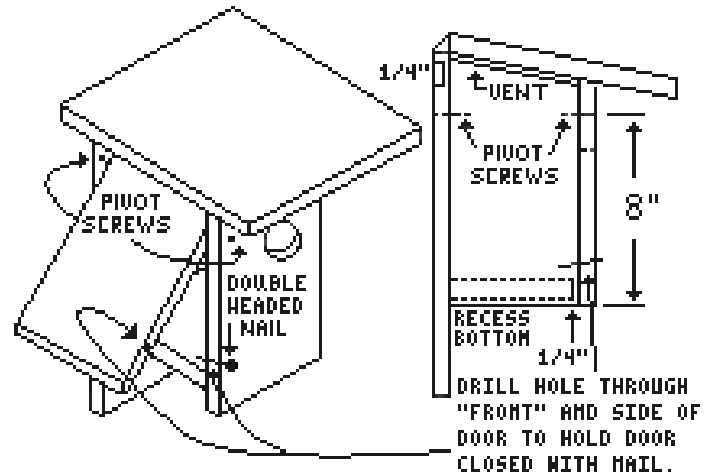
### Tips on Caring for the Bluebird Nest Box

- ❖ **Placing your nest box:** The nest box should be placed on the edge of an open field, golf course, lawn or orchard, on a tree about 5' from the ground, with a wire or post within 50' to supply a perch for young birds to use as a "landing wire". Place well away from buildings or deep shade, and, most importantly, where no pesticides will be used, and where fresh water is readily available. No hanging branches should be near nest box, as these will make bluebirds easier prey for predators.
- ❖ **Check once per month:** Check more often after birds begin to feather out. They will leave shortly after their wings begin turning blue.
- ❖ **Remove old nest after birds leave:** They will not use an old nest, but will build another on top of the old. That is why old nest must be discarded from box.
- ❖ **Mating season is February 15 – October 15:** If you remove the old nest, bluebirds will start right back building another one. You can raise four or five clutches during the season if you watch your nest closely.
- ❖ **Space boxes at least 75 yards apart:** Because bluebirds compete for territory, this is the best way to accommodate as many as possible.
- ❖ **Leave the nesting bluebirds alone:** Male and female birds will build the nest together. Females will lay four to six eggs before beginning to set. The male will guard her while she is on the nest. After the young hatch, both the bluebirds will feed the young all day long. Birds leave the nest 16 to 18 days after hatching, and the old nest should be removed the same day if possible.
- ❖ **16d nails are best for fastening boxes to trees/posts:** Space 1.5" between nail head and box to allow for tree growth. About 1.5" of space should also be left between box and tree.

**Roosting boxes:** A roosting box should be supplied for every five nest boxes. The roosting box is exactly like the nesting box, except the entrance hole is near the bottom and several 1/4" dowel rods are placed inside the boxes. The lower entrance hole allows birds to rake a nest out if it is built in the roosting box. Roosting boxes are best placed in the middle of your nesting area. For more information, contact Let's Get Wild, 1200 Pioneer Circle, Watkinsville, GA 30677 or 866-880-9453.

### MATERIALS LIST

- \* STANDARD 1"x6" - 4 FEET LONG
- \* STANDARD BOARD 1"x10" - 10 1/2" LONG
- \* 1 3/4" GALVANIZED NAILS - APPROX. 20
- \* 1 3/4" GALVANIZED SCREW FOR PIVOT POINT - 2
- \* DOUBLE HEADED NAIL FOR HOLDING DOOR CLOSED - 1



START CUTTING AT THE "FLOOR" AND WORK TOWARDS THE "BACK" SINCE THE "BACK" DIMENSION IS THE LEAST CRITICAL

